



APU Fuel Control, 3882730 FAA PMA Supplement No. 56 - Additional Aircraft Eligibilities



PMA49045-101 Valve

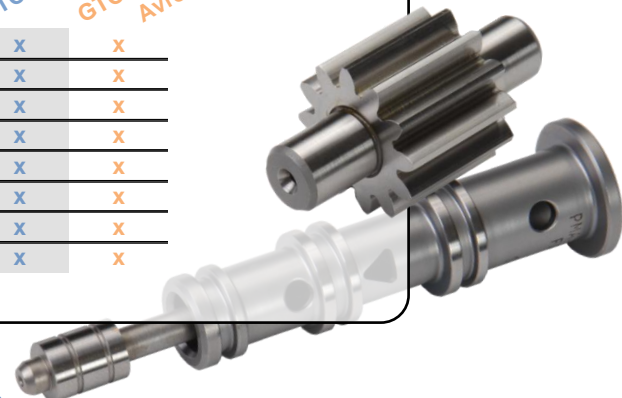
PARTS AVAILABILITY - ADpma maintains stock on **all** of its advertised parts. To control costs and to provide preferred options to buyers, ADpma sells direct through StockMarket.Aero and ILSmart.com with accurate, real time stock listings and quotes.

ADpma's parts are also available to customers worldwide through the global distribution network of Avio-Diepen.

ADpma, LLC announces the release of **FAA PMA Supplement Number 56**, which expands the eligibility of our PMA's to include the additional aircraft listed in the cross-reference table below. This expansion of eligibilities gives more airline operators the opportunity to profit from utilizing our superior products at significantly lower costs from the OEM and further illustrates our commitment to providing the airline industry with the most cost effective PMA solutions through our offering of quality parts and technical support.

OEM P/N	PMA P/N	Description	GTCP36-150(DD)	GTCP36-150(F)	GTCP36-150(A/AA)	GTCP36-150(M)
3601504-2	PMA49043-2	Body, Relief Valve	x	x	x	x
3601505-2	PMA49044-2	Seat, Spring	x	x	x	x
3601509-1	PMA49045-101	Valve And Sleeve Set	x	x	x	x
3601510-2	PMA49046-2	Retainer, Valve	x	x	x	x
3606382-3	PMA49047-3	Gearshaft, Spur	x	x	x	x
3606984-1	PMA49049-1	Retainer, Spring	x	x	x	x
3606985-2	PMA49028-2	Seat, Spring	x	x	x	x
3883925-1	ADP49116-101	Seal	x	x	x	x

GTCP36-150(DD) Dornier 328-300
GTCP36-150(F) Falcon 900/900EX
GTCP36-150(A/AA) EMB-120
GTCP36-150(M) BAE146-200A & Avro 146-RJ70AJR J85A



www.adpma.com

ADpma, LLC
1580 Phoenix BLVD, Suite 225
College Park, GA 30349

Tel: 770-994-2251
Fax: 770-994-2272

ADpma, LLC
401 Century Court
Piney Flats, TN 37686

Tel: 423-391-8834
Fax: 423-391-0919