

APU Fuel Control, 3882730
 FAA PMA Supplement No. 56



PMA49045-101 Valve

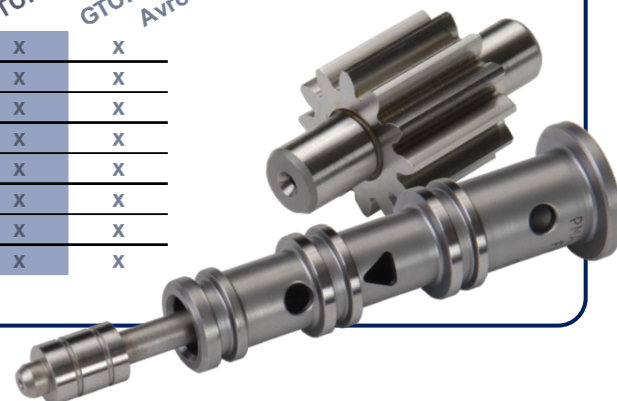
www.adpma.com

Find our parts listed at Stockmarket.aero and ILSmart.com.

adpma, LLC
 CAGE 1TE89
 401 Century Court
 Piney Flats, TN 37686
 Tel: +1 423-391-8834 Fax: +1 423-391-0919

adpma, LLC announces the release of FAA PMA Supplement Number 56, which expands the eligibility of our PMA's to include the additional aircraft listed in the cross-reference table below. This expansion of eligibilities gives more airline operators the opportunity to profit from utilizing our superior products at significantly lower costs from the OEM and further illustrates our commitment to providing the airline industry with the most cost effective PMA solutions through our offering of quality parts and technical support.

OEM P/N	PMA P/N	Description	GTCP36-150(DD)/ Domier 328-300	GTCP36-150(F)/ Falcon 900/900EX	GTCP36-150(A/AA)/ EMB-120	GTCP36-150(M)/ BAE146-200A & Avro 146-RJ70A/RJ85A
3601504-2	PMA49043-2	Body, Relief Valve	X	X	X	X
3601505-2	PMA49044-2	Seat, Spring	X	X	X	X
3601509-1	PMA49045-101	Valve And Sleeve Set	X	X	X	X
3601510-2	PMA49046-2	Retainer, Valve	X	X	X	X
3606382-3	PMA49047-3	Gearshaft, Spur	X	X	X	X
3606984-1	PMA49049-1	Retainer, Spring	X	X	X	X
3606985-2	PMA49028-2	Seat, Spring	X	X	X	X
3883925-1	ADP49116-101	Seal	X	X	X	X



www.adpma.com